



IMPORTANT SAFETY INFORMATION GUIDE

***Model: EP400AB55R
55" 4K UHD Partial-Sun Outdoor TV***

CONGRATULATIONS!

Thank you for your purchase. Please read these instructions carefully and keep this guide for future use.

Need assistance? Please visit www.elementelectronics.com or contact Element customer support at 1.888.842.3577 or email us at customerservice@elementelectronics.com.

It is recommended to record the model and serial number of your television for future reference. This information is located on the back of your television.

IMPORTANT SAFETY INSTRUCTIONS

READ THESE INSTRUCTIONS – All the following safety and operating instructions should be read before this product is operated.

- **Keep these instructions** – These safety and operating instructions should be retained for future reference.
- **Heed all warnings** – All warnings affixed on the product and in the operating instructions should be adhered to.
- Follow all instructions – All operating and use instructions should be followed.
- **Do not** use this apparatus near water – The product should not be used within five (5) feet from a pool, spa or other body of water.
- Clean only with a dry cloth.
- **Do not** block any ventilation openings. Install in accordance with the manufacturer's instructions.
- **Do not** install within five (5) feet from any heat sources such as indoor radiators or heat registers, outdoor stoves or fire pits, or other apparatus (including amplifiers) that produce heat.
- **Do not** defeat the safety purpose of the polarized or grounding-type plug. A polarized plug has two blades with one wider than the other. A grounding-type plug has two blades and a third grounding prong. The wide blade or the third prong are provided for your safety. If the provided plug does not fit into your outlet, consult an electrician for replacement of the obsolete outlet.
- Protect the power cord from being walked on or pinched particularly at plugs, convenience receptacles, and the point where they exit from the apparatus.
- Only use attachments/accessories specified by the manufacture.
- Use only with the cart, stand, tripod, bracket, or table specified by the manufacturer, or sold with the product. When a cart is used, use caution when moving the cart/product combination to avoid injury from tip-over.



- Unplug this product during lightning storms or when unused for long periods of time.
- Refer all servicing to qualified service personnel. Servicing is required when the product has been damaged in any way, such as the power-supply cord or plug is damaged, liquid has been spilled or objects have fallen into the product, the product has been exposed to rain or moisture, does not operate normally, or has been dropped.
- Please keep the unit in a well-ventilated environment.

IMPORTANT SAFETY INSTRUCTIONS

- ⚠ **WARNING:** Objects filled with liquids, such as vases should not be placed on the product.
 - ⚠ **WARNING:** The batteries shall not be exposed to excessive heat such as sunshine, fire, or the like.
 - ⚠ **WARNING:** No naked flame sources, such as lighted candles, should be placed on the product.
 - ⚠ **WARNING:** The main plug is used as a disconnect device, the disconnect device shall remain readily operable. The use of apparatus in moderate climates.
- Storage temperatures are -4°F to 140°F (-20°C to 60°C).**
Working temperatures are -4°F to 104°F (-20°C to 40°C).
- ⚠ **WARNING:** To reduce the risk of electric shock, do not remove the cover (or back) as there are no user-serviceable parts inside. Refer servicing to qualified personnel.



- ⚡ This lightning flash with arrowhead symbol within an equilateral triangle is intended to alert the user to the presence of non-insulated “dangerous voltage” within the product's enclosure that may be of sufficient magnitude to constitute a risk of electric shock.
- ⚠ The exclamation point within an equilateral triangle is intended to alert the user to the presence of important operating and maintenance instructions in the literature accompanying the appliance.
- This equipment is a Class II or double insulated electrical appliance. It has been designed in such a way that it does not require a safety connection to electrical earth.
- ⊗ This product contains electrical or electronic materials. The presence of these materials may, if not disposed of properly, have potential adverse effects on the environment and human health. Presence of this label on the product means it should be disposed of as unsorted waste and must be collected separately. As a consumer, you are responsible for ensuring that this product is disposed of properly.

SAFETY INFORMATION

To ensure reliable and safe operation of your new TV, please read carefully all the instructions in this user guide, especially the safety information below.

ELECTRICAL SAFETY

- The TV set should only be connected to a main power supply with voltage that matches the label at the rear of the product.
- To prevent overload, do not share the same power supply socket with too many other electronic components.
- Do not place any connecting wires where they may be stepped on or tripped over.
- Do not place heavy items on them, which may damage the leads.
- Hold the main plug, not the wires, when removing from a socket.
- During a thunderstorm, or when not using the television for extended period of time, turn off the power switch on the back of the television.
- Pull the plug out immediately, and seek professional help if the main plug or cable is damaged, liquid is split onto the set, if anything accidentally penetrates the ventilation slots, or if the set does not work normally.
- Do not remove the safety covers. There are no user serviceable parts inside. Trying to service the unit yourself is dangerous and may invalidate the product's warranty. Qualified personnel must only service this apparatus.
- To avoid battery leakage, remove exhausted batteries from the remote control, or when not using for long period.
- Do not break open or throw exhausted batteries on a fire.
- Do not mix old and new batteries.
- Do not mix Alkaline, Standard (Carbon-Zinc) or Rechargeable (Nickel Cadmium) or (Nickel Metal Hydride) batteries.

PHYSICAL SAFETY

- The ventilation should not be impeded by covering the ventilation openings with items, such as newspapers, table-cloths, curtains, etc.
- Do not block ventilation slots in the back cover. You may place the TV in a cabinet, but ensure at least 2" (5 cm) clearance all around.
- Do not tap or shake the TV screen, or you may damage the internal circuits.
- Do not use solvents or petroleum-based fluids to clean the product.
- Clean the TV with a soft dry cloth. Do not use solvents or petroleum-based fluids.
- Do not install near any heat sources such as indoor radiators or heat registers, outdoor stoves or fire pits, or other apparatus (including amplifiers) that produce heat.
- Do not defeat the safety purpose of the polarized or grounding-type plug. A polarized plug has two blades with one wider than the other. A grounding type plug has two blades and a third grounding prong, the wide blade, or the third prong is provided for your safety. If the provided plug does not fit into your outlet, consult an electrician for replacement of the obsolete outlet.

SAFETY INFORMATION

PHYSICAL SAFETY (CONT.)

- Protect the power cord from being walked on or pinched particularly at plugs.
- Unplug the product during lightning storms or when unused for long periods.

BATTERY SAFETY

- **CAUTION:** Risk of explosion if the battery is replaced with an incorrect battery type.
- Use consumer grade, non-rechargeable carbon-zinc or alkaline batteries AAA or AA type.
- Disposal of a battery into fire or a hot oven, or mechanically crushing or cutting of a battery, can result in an explosion.
- Exposing a battery to high temperature can result in an explosion or the leakage of flammable liquid or gas.
- A battery subjected to extremely low air pressure may result in an explosion or the leakage of flammable liquid or gas.

STABILITY HAZARD

- A display may fall, causing serious personal injury or death. Many injuries, particularly to children, can be avoided by taking simple precautions such as:
- ALWAYS use mounting methods recommended by the manufacturer of the display.
- ALWAYS educate children about the dangers of climbing on furniture to reach the display or its controls.
- ALWAYS route cords and cables connected to your display so they cannot be tripped over, pulled or grabbed.
- NEVER place a television set in an unstable location.
- NEVER place items that might tempt children to climb, such as toys and remote controls, on the top of the display or furniture on which the display is placed.
- If the existing display is going to be retained and relocated, the same considerations as above should be applied.

SAFETY INFORMATION

The following symptoms are not signs of malfunction but technical limitation. Therefore we disclaim any responsibility for these symptoms.

- LCD Panels are manufactured using an extremely high level of precision technology, however sometimes parts of the screen may be missing picture elements or have luminous spots.
- Do not install the LCD Panel near electronic equipment that produces electromagnetic waves. Some equipment placed too near this unit may cause interference.
- Effect on infrared devices – There may be interference while using infrared devices such as infrared cordless headphones.

HOW TO HANDLE THE LCD PANEL

- Do not press hard or jolt the LCD panel. It may cause the LCD panel glass to break and injury may occur.
- If the LCD panel is broken, make absolutely sure that you do not touch the liquid in the panel. This may cause skin inflammation. If the liquid gets in your mouth, immediately gargle and consult with your doctor. Also, if the liquid gets in your eyes or touches your skin, consult with your doctor after rinsing for at least 15 minutes or longer in clean water.

Possible Adverse Effects on LCD Panel: If a non-moving pattern remains on the LCD Panel for long periods of time, the image can become permanently engrained in the LCD Panel and cause subtle but permanent ghost images. This type of damage is NOT COVERED BY YOUR WARRANTY. Never leave your LCD Panel on for long periods of time while it is displaying the following formats or images:

- Fixed Images, such as stock tickers, video game patterns, TV station logos, and websites.
- Special Formats that do not use the entire screen. For example, viewing letterbox style (16:9) media on a normal (4:3) display (black bars at top and bottom of screen); or viewing normal style (4:3) media on a widescreen (16:9) display (black bars on left and right sides of screen).

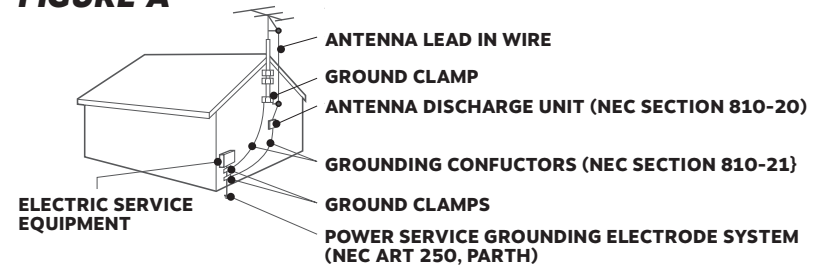
TELEVISION ANTENNA CONNECTION PROTECTION

If an outside antenna or cable system is connected to the TV, be sure the antenna or cable system is grounded to provide some protection against voltage surges and built-up static charges.

Section 810 of the National Electrical Code, ANSI/NFPA NO.70, provides information with respect to proper grounding of the mast and supporting structure, grounding of the lead-in wire to an antenna discharge unit, size of grounding conductors, location of antenna discharge unit, connection to grounding electrodes, and requirements for the grounding electrodes. **See figure A on next page.**

SAFETY INFORMATION

FIGURE A



INTERNATIONAL PROTECTION RATING (IP)

This TV is IP55 certified which means it is protected from limited dust ingress and water protection. Your TV will resist normal outdoor water exposure from rain, sprinklers, hoses, etc. but should never be submerged in water or sprayed with pressurized water, especially near the vents. Only water projected by a nozzle (6.3mm) against the enclosure from any direction shall have no harmful effects. Also, the ingress of dust is not entirely prevented, but it must not enter in sufficient quantity to interfere with the satisfactory operation.

TV CARE & STORAGE:

- When the TV is not in use, it is recommended to keep it covered with an outdoor protective dust cover (not included) to help protect against harmful UV rays from sunlight, scratches, wind-blown objects, etc.
- When the TV is turned off, gently wipe the surface with a microfiber cloth. Do not use paper towels, rags, or other abrasive cloths as they may cause damage to your screen. Do not use any harsh chemicals, or solvents and avoid spraying any cleaning solutions directly onto the screen.
- To remove snow or ice from the TV, use a soft brush or towel.
- For optimal sound quality and to prevent overheating, remove any debris accumulation from the four vents located on the back panel of the TV (two on back, two on bottom).
- When your TV is powered on, internal cooling fans will automatically turn on when temperatures are near or above the standard operating temperature. Fans will automatically turn off when temperatures are regulated.
- **Extreme Climate Warning:** For extreme weather conditions, or if climate is expected above/below the storage temperatures of -4°F to 140°F (-20°C to 60°C), it is recommended you bring your TV inside to prevent damages.

CONNECTING DEVICES TO YOUR TV

Your TV's connections are secured behind a panel door on the back of your TV. This panel is lined with foam to keep dust & moisture out and keep your cords dry and in place.

To access your TV's ports and connect devices, complete the following:

BEFORE MOUNTING:

1. Place TV screen-down on a clean, flat, soft surface (ie: blanket) to prevent scratches or damage to the screen.
2. Locate the panel door on the back of your TV, remove the seven screws by hand and open panel door. **See figure one.**
3. Find the power cord (located inside the door) and run the plug out to the bottom of the panel. Do not connect to power until all cable connections have been made. **See figure two.**
4. Plug in any devices and ensure they are securely connected. Device cords should run flat out the bottom of the panel (between the two bottom screw holes) and not be layered. **See figure two.**
5. Close the panel door and replace the seven screws tightly by hand, ensuring there are no large gaps between the foam and cords.

FIGURE ONE

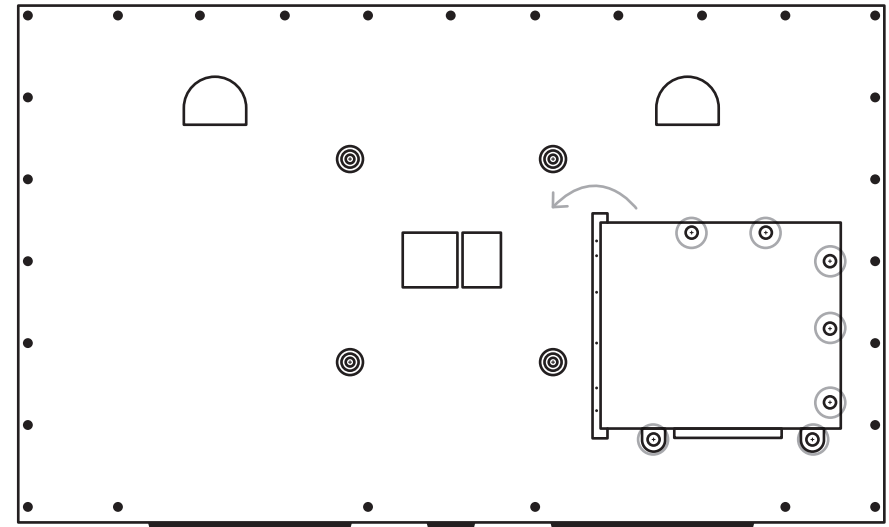
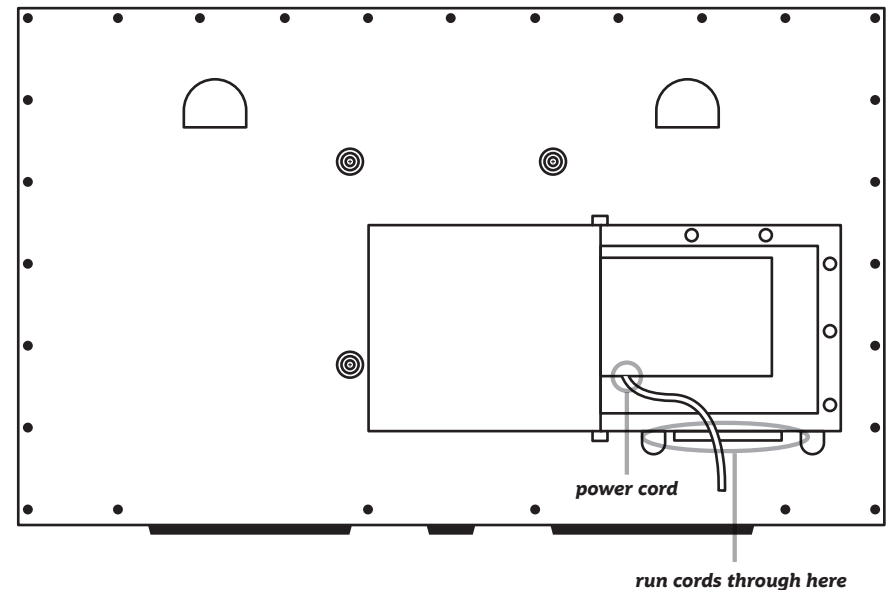


FIGURE TWO



MOUNTING YOUR TV

TV PLACEMENT

IMPORTANT: Choose a location for your TV in an area where it will NOT be in direct sunlight and is partially shaded (ie: near trees, under structures, patio cover, etc.). Remember that the position of the sun changes throughout the day, so choose a location and position based on the time of day you would use it most often.

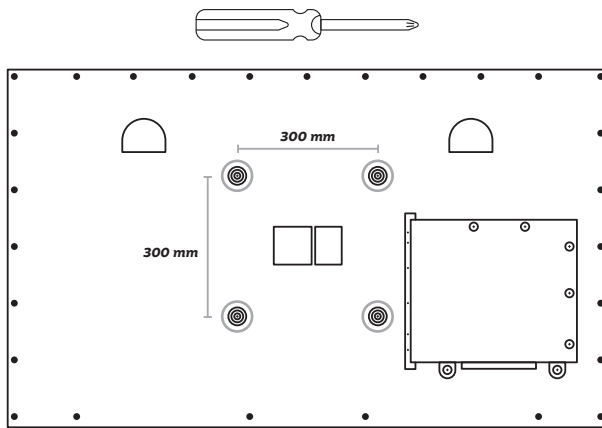
⚠ WARNING: The TV must be installed at least five (5) feet from a pool, spa, or other body of water.

MOUNTING YOUR TV

Your TV has four mounting holes for a VESA approved mounting bracket (not included). Please ensure your wall mount can hold >71lbs and is compatible with a 300 x 300 VESA mount pattern. A minimum of two people are required for installation.

CAUTION: Your new TV is heavy! If you have any doubts about your ability to safely install your TV, please consult a professional installer.

1. Place TV screen-down on a clean, flat, soft surface (ie: blanket) to prevent scratches or damage to the screen.
2. Using a Phillips head screwdriver, remove the four screws located inside the VESA mount points as shown. **⚠ WARNING:** The included screws are NOT for use with a wall mount and should be removed before mounting.
3. Mount the VESA bracket using four M8 x 20mm (max depth) screws (not included) and follow the mounting instructions provided with your wall mount.



TIP: Please connect all your devices prior to mounting your TV, as the connections panel will not be easily accessible after mounting.

CHILD SAFETY NOTICE

THIS MANUFACTURER CARES!

The consumer electronics industry is committed to making home entertainment enjoyable and safe.

THE ISSUE

The home entertainment experience is a growing trend and larger flat panel displays are popular purchases. However, flat panel displays are not always supported on the proper stands or installed according to the manufacturer's recommendations. Flat panel display that are inappropriately situated on dressers, bookcases, shelves, desks, speakers, chests or carts may fall over and cause injury.

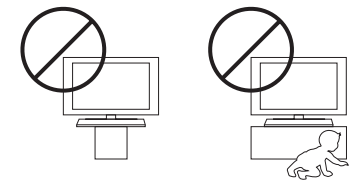
TUNE INTO SAFETY

- One size does NOT fit all. Follow the manufacturer's recommendation for the safe installation and use of your flat panel display.
- Carefully read and understand all enclosed instructions for proper use of this product.
- Don't allow children to climb on or play with furniture and television sets.
- Don't place flat panel displays on furniture that can easily be used as steps, such as a chest of drawers.
- Remember that children can become excited while watching a program, especially on a "larger than life" flat panel display. Care should be taken to place or install the display where it cannot be pushed, pulled over, or knocked down.
- Care should be taken to route all cords and cables connected to the panel display so that they cannot be pulled or grabbed by curious children.

WALL MOUNTING

IF YOU DECIDE TO WALL MOUNT YOUR FLAT PANEL DISPLAY, ALWAYS:

- Use a mount that has been recommended by the display manufacturer and/or listed by an independent laboratory (such as UL, CSA, ETL).
- Follow all instructions supplied by the display and wall mount manufacturers.
- If you have any doubts about your ability to safely install your flat panel display, contact your retailer about professional installation.
- Make sure that the wall where you are mounting the display is appropriate. Some block construction. If you are unsure, contact a professional installer.
- A minimum of two people are required for installation. Flat panel displays can be heavy.



FCC NOTES



FCC STATEMENT

This device complies with Part 15 of the FCC Rules. Operation is subject to the following two conditions:

- (1) This device may not cause harmful interference, and
- (2) This device must accept any interference received, including interference that may cause undesired operation.

Changes or modifications not expressly approved by the party responsible for compliance could void the user's authority to operate the equipment.

NOTE: This equipment has been tested and found to comply with the limits for a Class B digital device, pursuant to Part 15 of the FCC Rules. These limits are designed to provide reasonable protection against harmful interference in a residential installation.

This equipment generates uses and can radiate radio frequency energy and, if not installed and used in accordance with the instructions, may cause harmful interference to radio communications. However, there is no guarantee that interference will not occur in a particular installation. If this equipment does cause harmful interference to radio or television reception, which can be determined by turning the equipment off and on, the user is encouraged to try to correct the interference by one or more of the following measures:

- Reorient or relocate the receiving antenna.
- Increase the separation between the equipment and receiver.
- Connect the equipment into an outlet on a circuit different from that to which the receiver is connected.
- Consult the dealer or an experienced radio/TV technician for help.

FCC RADIATION EXPOSURE STATEMENT

This equipment complies with FCC radiation exposure limits set forth for an uncontrolled environment. This equipment should be installed and operated with minimum distance 20cm between the radiator & you body.

ACCESSIBILITY

HOW TO ENABLE AND DISABLE TEXT-TO-SPEECH (TTS)

Your TV has a built-in Audio Guide, which includes Text-to-Speech and Video Description, which assist users to navigate the on-screen menus.

Text-to-Speech, or TTS, is a form of speech synthesis that converts written text into a spoken voice output. This allows visually impaired people to listen to digital content that they are unable to read.

Video Description is audio narration added to a TV or movie soundtrack describing key visual elements that blind or visually impaired viewers might otherwise miss. Such elements include settings, scene changes, speaker identification, clothing, facial expressions, actions, and onscreen text.

Once this Text-to-Speech feature is activated, the Audio Guide will read out text, menu items, and other on-screen items. Once Video Description is activated, Audio Guide will describe key visual elements by audio narration.

Below are the step-by-step instructions to enable or disable this feature:

1. Press on your remote to open the main screen.
2. Scroll up or down and select Settings.
3. Press the right arrow button and select Accessibility.
4. Press the right arrow button and select Voice Guide or Video Description.
5. Press the right arrow button and select ON to enable or OFF to disable the Text-To-Speech or Video Description feature.

Tip: If Shortcut is enabled, you can enable or disable the Audio Guide by pressing the **Option** button * four times in quick succession.

SPECIFICATIONS

Panel Size	54.5 inches diagonally
Display Type	LED
Panel Technology	TFT
TV System	ATSC/NTSC-M
Channel Range	VHF: 2~13
Channel Range	UHF: 14~69
Channel Range	CATV: 1~135
Tuner Type	Frequency synthesized
Display Resolution	Up to 4K
Pannel Resolution	3840 × R.G.B. × 2160
Aspect Ratio	16:9
Contrast Ratio-Panel	5000:1
Response Time (G To G)	8 ms
Lamp Life (Typ. Hours)	10,000 hours
Horizontal Viewing Angle (At CR≥ 10)	178°
Vertical Viewing Angle (At CR≥ 10)	178°
Power Supply	108-132V~ 60Hz
Brightness	700nits
Storage Temperature	-4°F to 140°F (-20°C to 60°C)
Operating Temperature	-4°F to 104°F (-20°C to 40°C)

WE'RE HERE TO HELP

Find resources and get help with product setup, connecting devices, technical issues, downloading manuals and more!

WE'RE AVAILABLE 24 HOURS A DAY, 7 DAYS A WEEK

elementelectronics.com

1.888.842.3577

customerservice@elementelectronics.com



The terms HDMI, HDMI High-Definition Multimedia Interface, and the HDMI Logo are trademarks or registered trademarks of HDMI Licensing Administrator Inc.



Manufactured under license from Dolby Laboratories. Dolby, Dolby Audio, and the double-D symbol are trademarks of Dolby Laboratories Licensing Corporation.



Roku, Roku TV and the Roku logo are the trademarks or registered trademarks of Roku, Inc.

 ***element* • Roku TV**